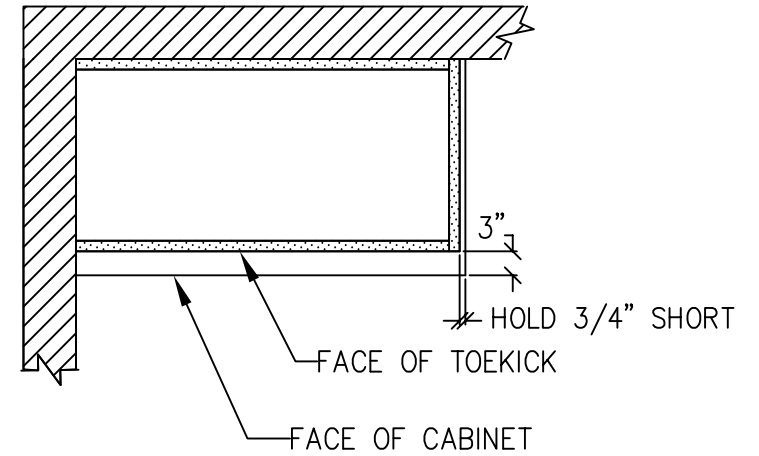
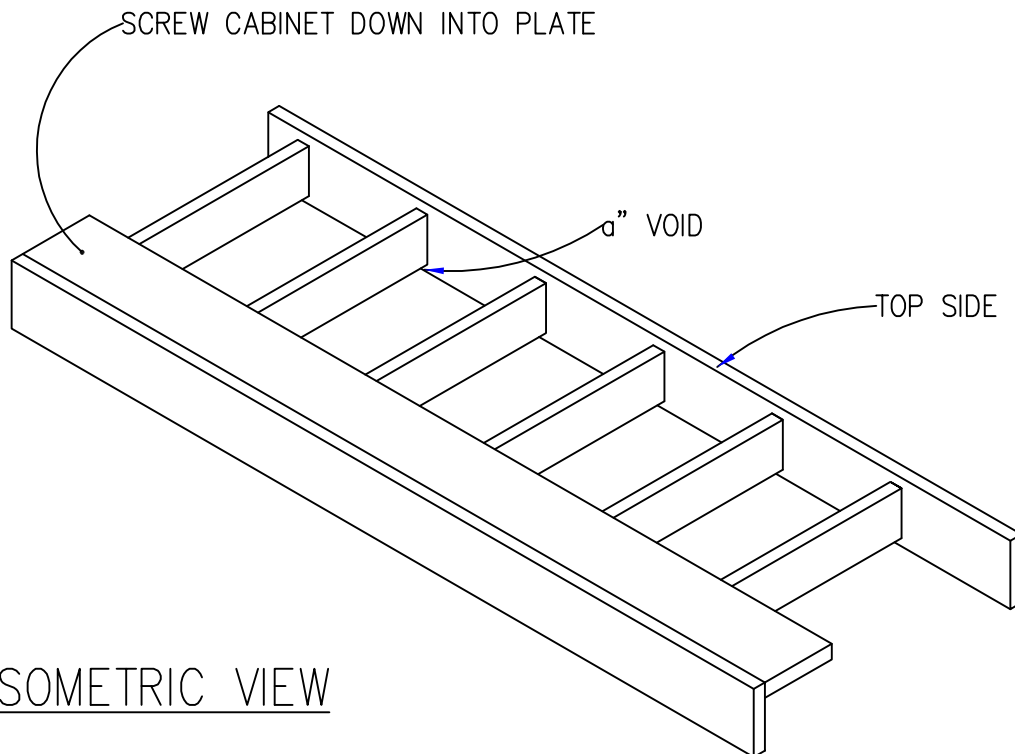


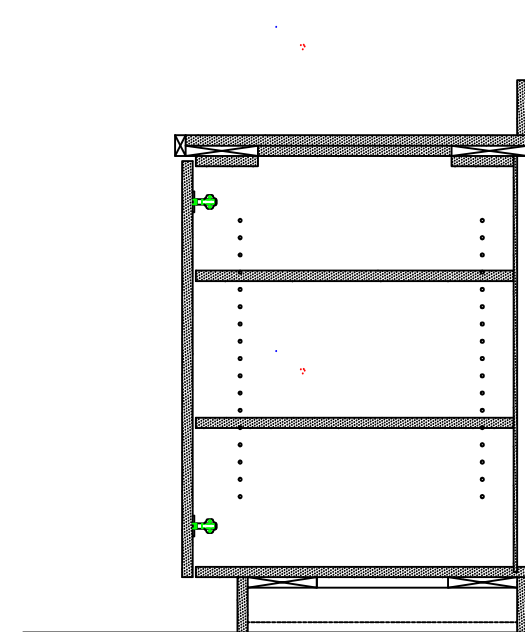
WALL TO WALL PLAN VIEW



OPEN ONE END PLAN VIEW



ISOMETRIC VIEW



SECTION VIEW